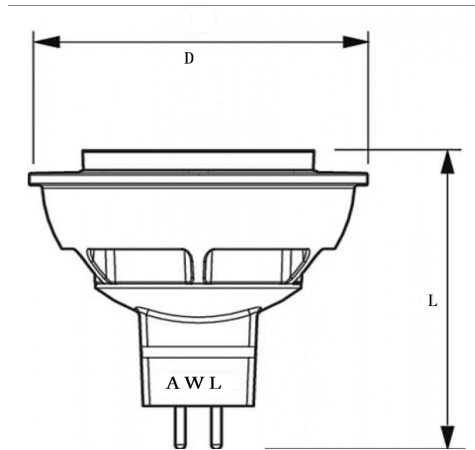




LED MR16
7W = 50W Halogen



Product Description		LE-7MR16
Body Size	L (mm)	49 ± 0.5
	D (mm)	50 ± 0.5
LED		SMD
LED QTY (pcs)		7
LED Source		Epistar
Dimmable		Y
Input Voltage (V)		12V AC/DC
Power (W)		7W
Luminous Flux		500LM/600LM
SDCM		<4
CRI		>80
Power Factor		>0.9
Life time (HRS)		25,000

Product Code	Description	CCT	Volts	Watts	Base	Lumens	Note
80408	LE-7MR16/FL/30	3000K	12V	7W	GU5.3	500	equivalent to 50W
80409	LE-7MR16/FL/40	4000K	12V	7W	GU5.3	500	equivalent to 50W
84402	LE-4MR16/NFL/50	5000K	4.5-30V	4W	GU5.3	400	equivalent to 35W
84412	LE-7MR16/NFL/30	3000K	10-30V	7W	GU5.3	500	equivalent to 50W
80415	LE-7MR16/FL/50	5000K	12V	7W	GU5.3	500	equivalent to 50W
80413	LE-8MR16/FL/30	3000K	12V	8W	GU5.3	600	equivalent to 75W
84415	LE-7MR16/EXZ/50	5000K	12/24V	7W	GU5.3	600	equivalent to 50W
80417	LE-5MR16/RGBY	R/G/B/Y	12V	5W	GU5.3		SINGLE COLOR
90010	LE-5MR16/RGB	R/G/B	12V	5W	GU5.3		SMART Wi-Fi