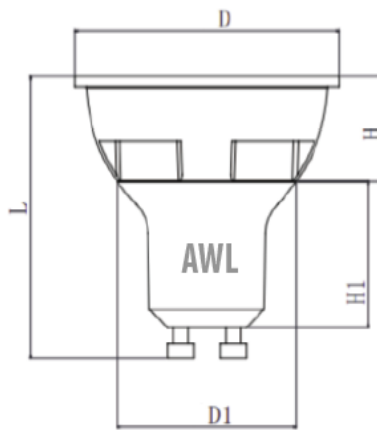




LED GU10

5W = 35W Halogen



Product Description		LE-5GU10
Body Size	L (mm)	54 ± 0.5
	D (mm)	50 ± 0.5
	D1(mm)	28 ± 0.5
	H(mm)	26 ± 0.5
	H1(mm)	27 ± 0.5
LED		SMD
Dimmable		Y
Input Voltage (V)		120V 60Hz
Wattage		5W
Luminous Flux		500/600
CRI		>80
Power Factor		>0.9
Life time (HRS)		25,000

Product Code	Description	CCT	Volts	Watts	Base	Lumens	Note
80420	LE-5GU10/30	3000K	120V	5W	GU10	400	equivalent to 35W
80421	LE-5GU10/50	5000K	120V	5W	GU10	400	equivalent to 35W
80427	LE-5GU10/R/G/B/Y	R/G/B/Y	120V	5W	GU10	400	equivalent to 35W